

Kawasaki 85

Model J1L

Model J1TL

Model J1TRL

Kawasaki 90

Model G1L

INSERT LATEST CHANGED PAGES.

DESTROY SUPERSEDED PAGES.

LIST OF EFFECTIVE PAGES

TOTAL NUMBER OF LEAFS IN THIS PARTS BOOK IS 7 , CONSISTING OF THE FOLLOWING:

Page No.	Issue	Page No.	Issue
* FOREWORD	1 Aug. 1967	5	Original
* INDEX	1 Aug. 1967	* 6	1 Aug. 1967
1	Original	7	Original
* 2	1 Aug. 1967	* 8	1 Aug. 1967
3	Original	9	Original
4	Original	* 10	1 Aug. 1967

* The asterisk indicates pages changed, added or deleted by the current change.

FOREWORD

This sections lists parts and sub-assemblies provided as spare parts for the G1L, J1L, J1TL, J1TRL.

Owners of G1L, J1L, J1TL and J1TRL should first check this section. If the desired part is not listed, the G1 part is used for G1L, and J1 part for J1L, J1TL and J1TRL.

1 Aug. 1967

KAWASAKI AIRCRAFT CO., LTD.

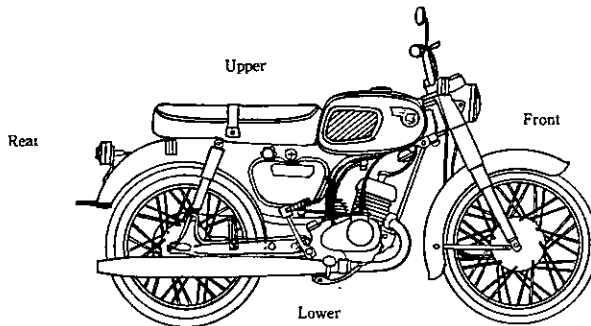
No. 25 Shiba Park, Minato-ku, Tokyo, Japan.

Kawasaki 85

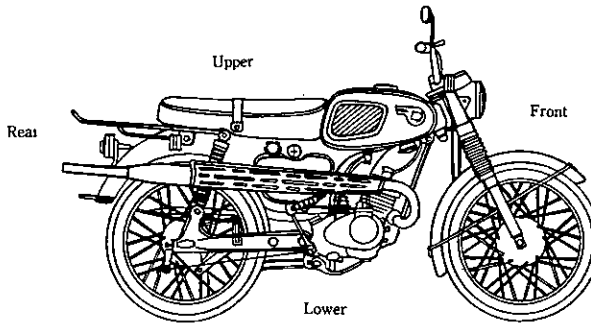
J1L
J1TL
J1TRL
90 **G1L**

INDEX

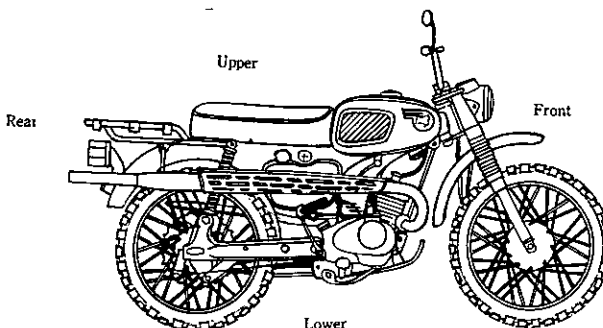
2.	Crankcase	1
3.	Crankshaft	1
8.	Engine Covers, Oil Pump (1)	3
8.	Engine Covers, Oil Pump (2)	5
10.	Carburetor	5
12.	Frame	7
20.	Fuel Tank, Oil Tank	9
22.	Cables	9
23.	Side Cover	9
24.	Electrical Equipment	9



J1L • G1L

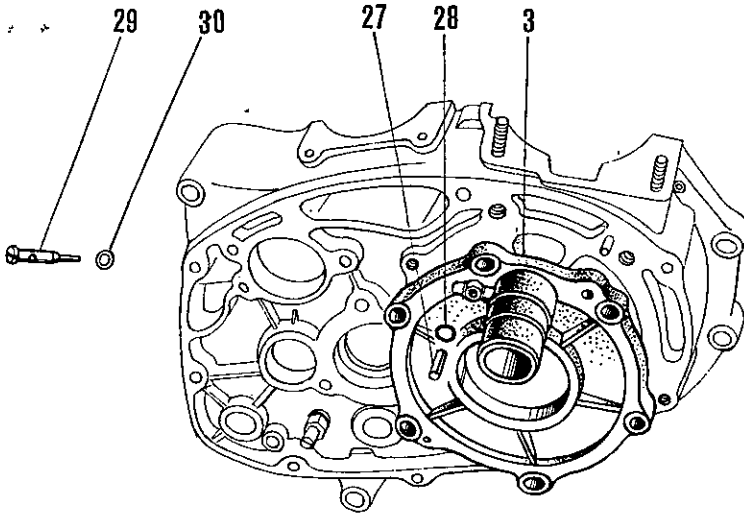


J1TL

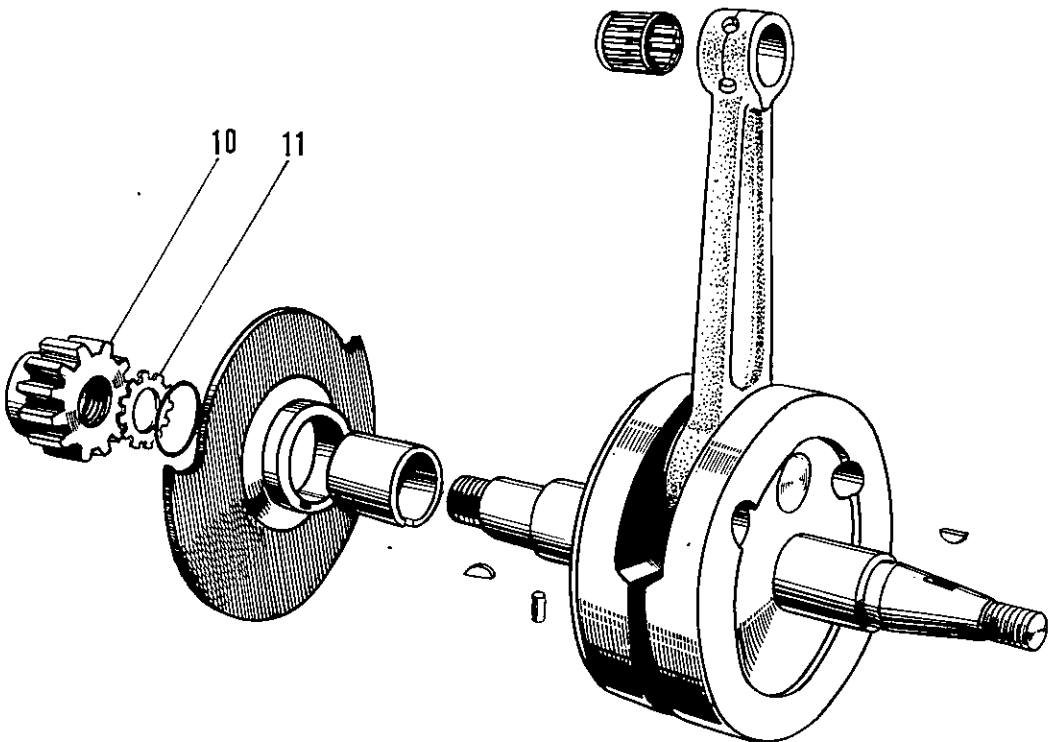


J1TRL

2. Crankcase

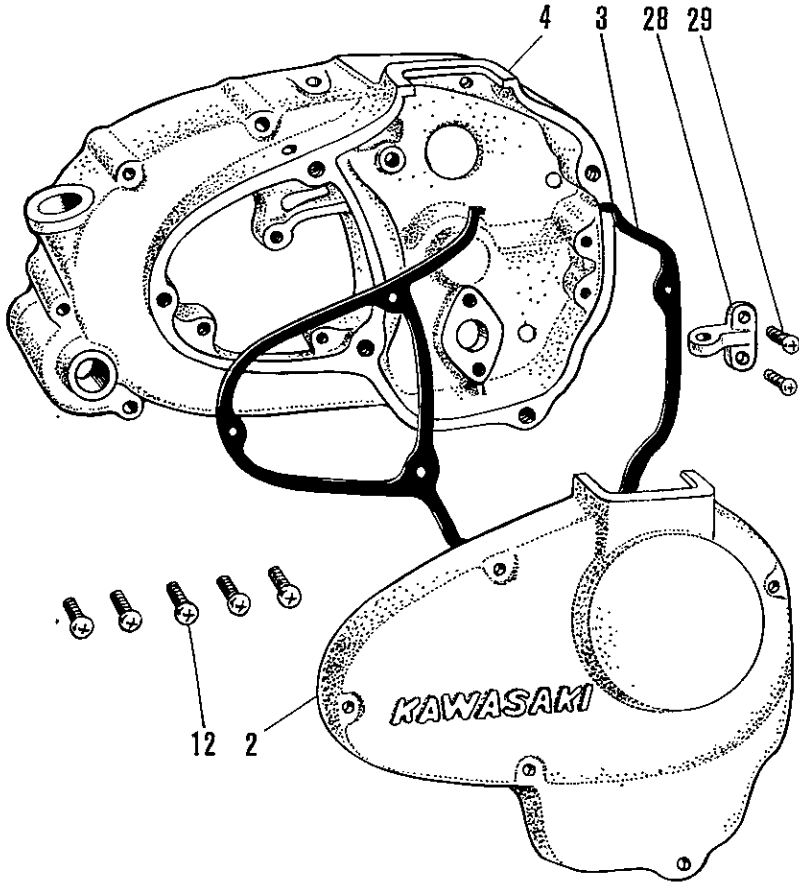


3. Crankshaft



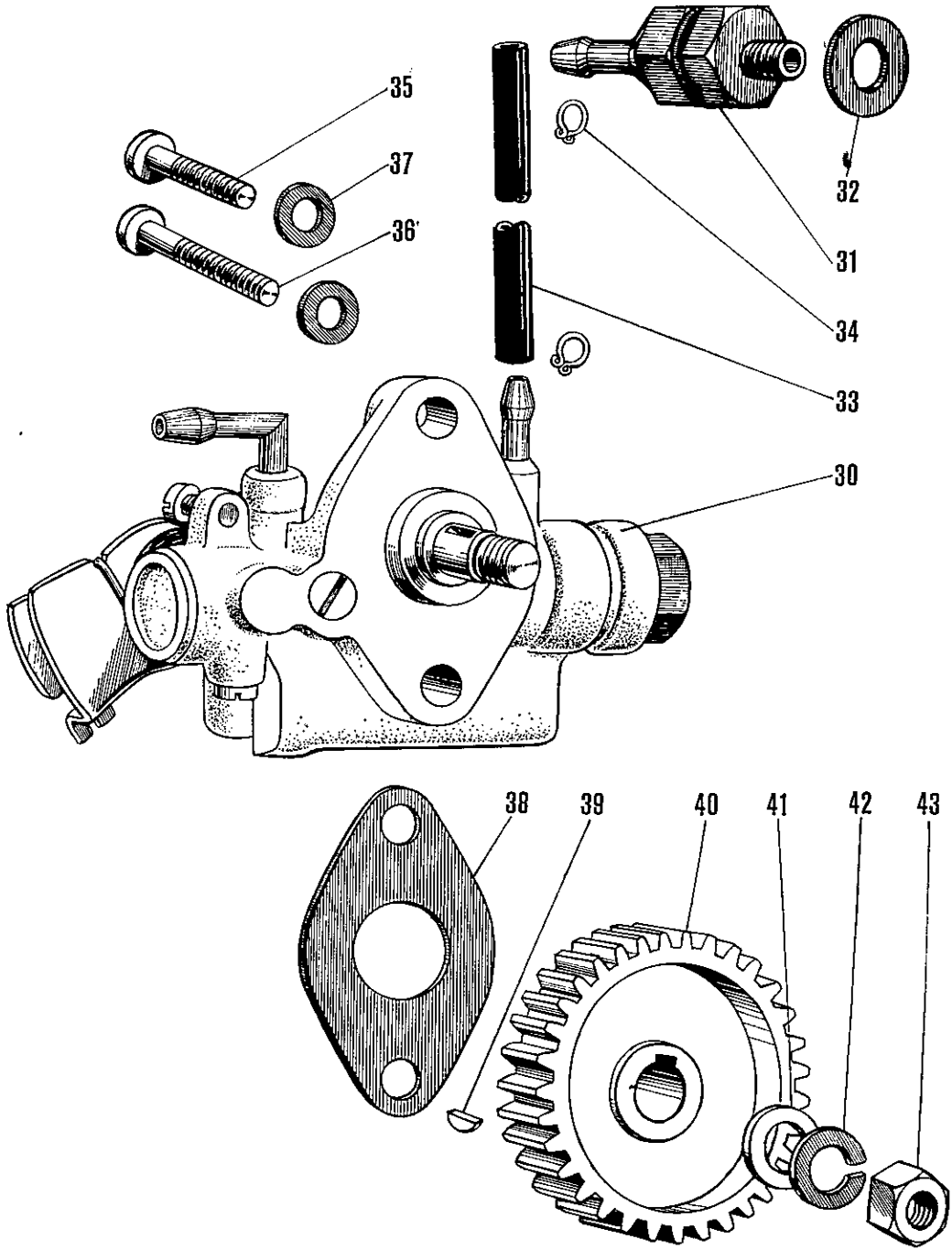
Ref. No.	Part No.	Part Name	Quantity	Remarks
2. Crankcase				
3	2310-4212	Rotary Disc Valve Cover		
27	B1070-4271	8X16 Dowel Pin		
28	B 1070-4248	8 ^m / _m "0" Ring		
29	2310-4272	Oil Injection Nozzle		
30	2310-4273	5 ^m / _m "0" Ring		
3. Crankshaft				
10	2310-7111	Oil Pump Pinion	1	
11	464 G 1200	12 ^m / _m Toothed Lock Washer	1	

8. Engine Covers, Oil Pump (1)



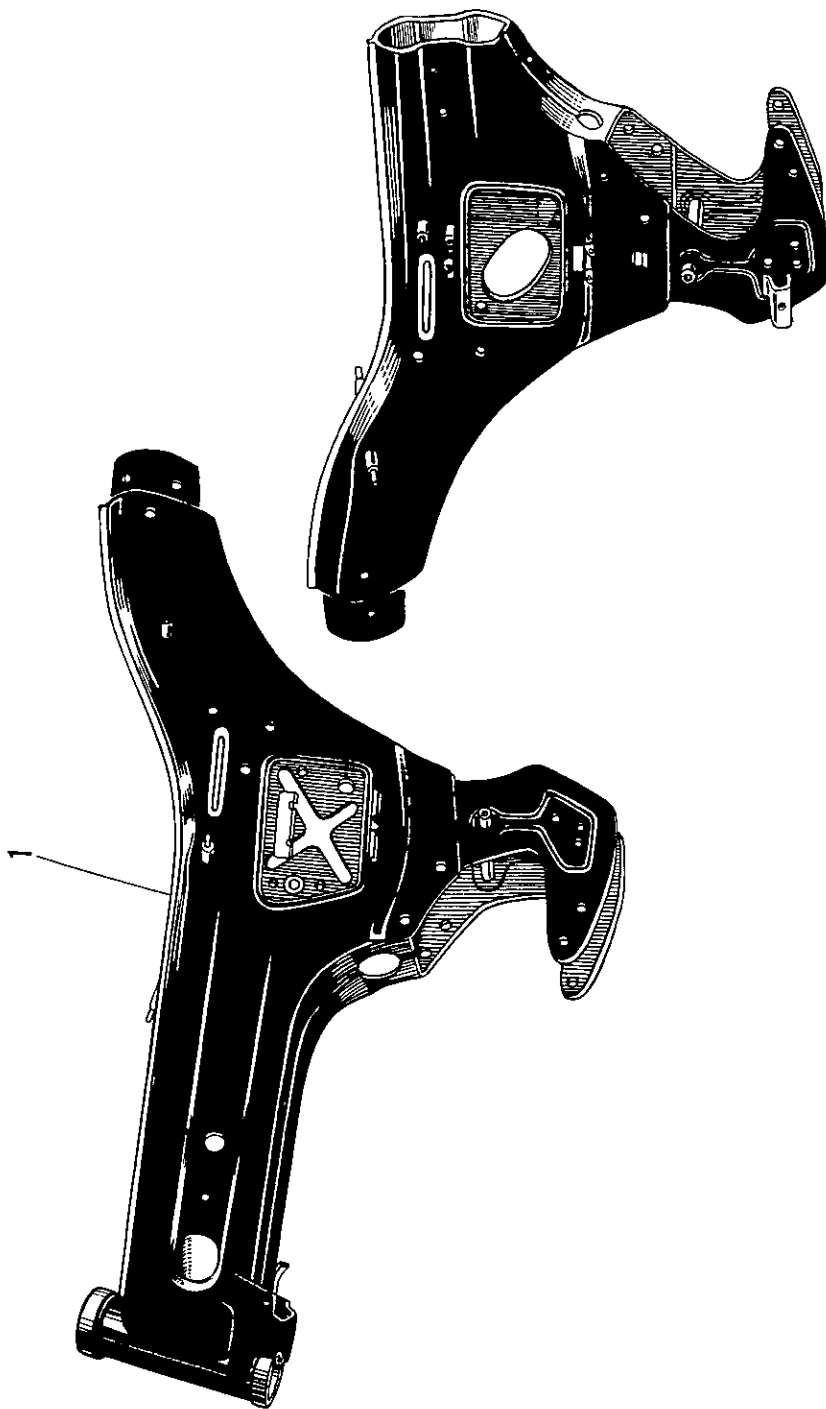
Ref. No.	Part No.	Part Name	Quantity	Remarks
8. Engine Covers, Oil Pump (1)				
2	2310-4307	Carburetor Cover	1	
3	2310-4311	Carburetor Cover Gasket	1	
4	2310-4202	R.H. Engine Cover	1	
12	222 B 0630	6×30 Oval Countersunk Head Screw	5	
28	2310-7113	Oil Pump Cable Guide	1	
29	220 B 0620	6×20 Pan Head Screw	2	

8. Engine Covers, Oil Pump (2)



Ref. No.	Part No.	Part Name	Quantity	Remarks
8. Engine Covers, Oil Pump (2)				
30	2310-7130	Oil Pump Ass'y	1	
31	2310-7131	Check Valve	1	
32	751 P 0800	Check Valve Gasket	1	
33	2311-7811	Oil Pipe	1	
34	2310-7132	Oil Pipe Clamp	2	
35	220 B 0514	5X14 Pan Head Screw	1	
36	220 B 0528	5X28 Pan Head Screw	1	
37	2310-7115	Oil Pump Washer	2	
38	B 1070-7121	Oil Pump Gasket	1	
39	510 A 2500	Oil Pump Gear Woodruff Key	1	
40	2310-7112	Oil Pump Gear	1	
41	410 B 0600	6 ^m / _m Plain Washer	1	
42	461 E 0600	6 ^m / _m Spring Washer	1	
43	310 B 0600	6 ^m / _m Nut	1	

12. Frame

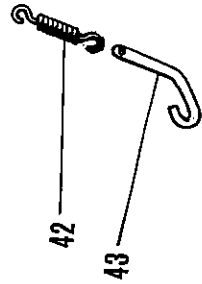
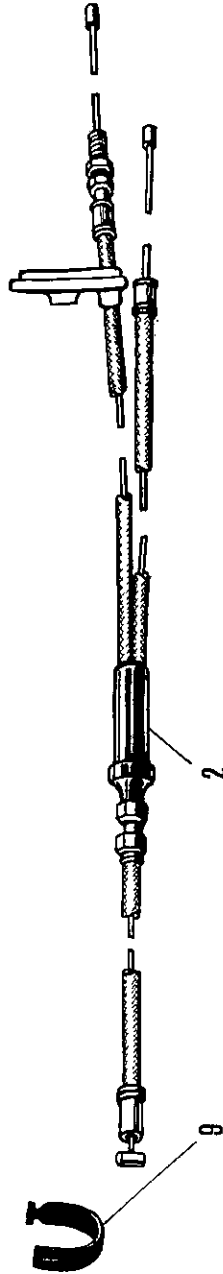
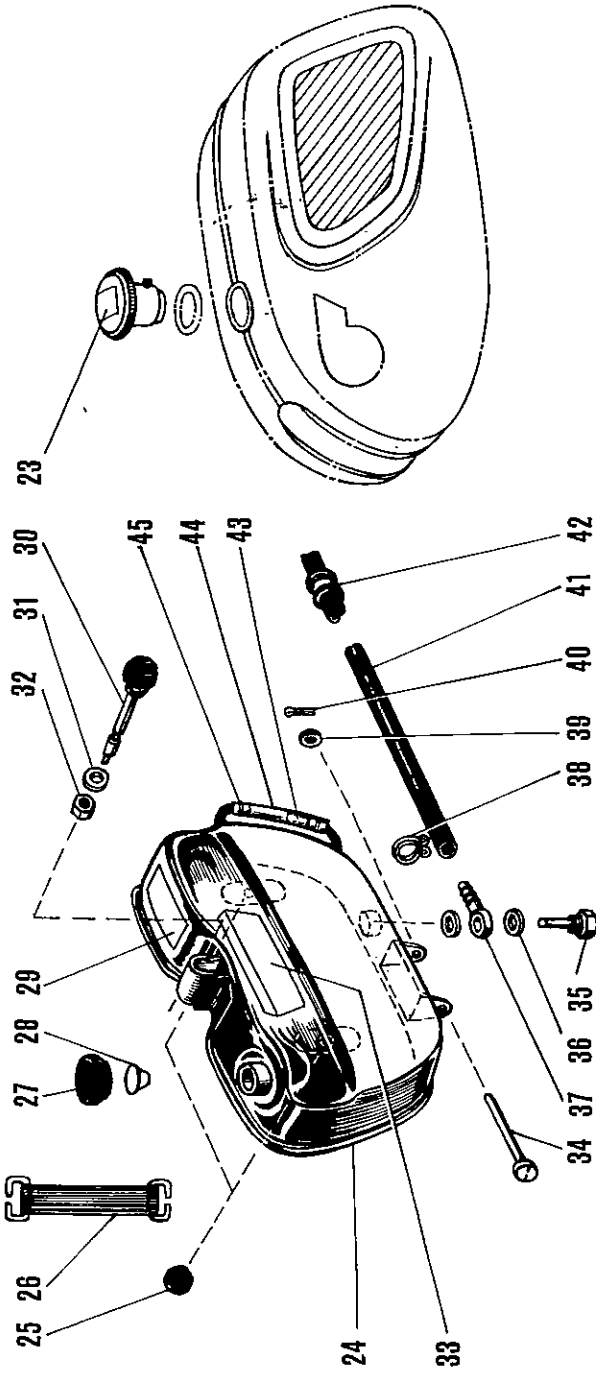


Ref. No.	Part No.	Part Name	Quantity	Remarks
12. Frame				
1	2320-1100	Frame	1	for J1L J1TL
1	2520-1100	Frame	1	for J1TRL

20. Fuel Tank, Oil Tank

22. Cables

24. Electrical Equipment



Ref. No.	Part No.	Part Name	Quantity	Remarks
20. Fuel Tank, Oil Tank				
23	2320-4516	Fuel Tank Filler Cap Label	1	
24	2320-4501	Oil Tank	1	
25	2320-4503	Oil Tank Protector	2	
26	2320-4502	Oil Tank Band	1	
27	2320-4511	Oil Tank Filler Cap	1	
28	2320-4512	Oil Tank Filler Cap Gasket	1	
28	2321-4512	(1) Oil Tank Filler Cap Gasket	1	WHN EXH USE 2321-4512
29	2320-4517	Oil Tank Level	1	USE 2320-4512 UNTL EXH
30	2320-4506	Oil Tank Knob	1	
31	410 B 0500	5 ⁷ / ₁₆ Plain Washer	1	
32	312 B 0600	6 ⁷ / ₁₆ Nut	1	
33	2320-4514	Oil Tank Emblem	1	
34	2320-4504	Oil Tank Shaft	1	
35	2320-4508	Oil Tank Banjo Bolt	1	
36	751 P 1000	Oil Tank Banjo Bolt Gasket	2	
37	2320-4507	Oil Tank Banjo Connector	1	
38	310-4312	Oil Tank Pipe Clamp	2	
39	410 B 0600	6 ⁷ / ₁₆ Plain Washer	1	
40	550 D 1610	Cotter Pin	1	
41	2320-4505	Oil Tank Pipe	1	
42	850 B 0803	Oil Pipe Protector	1	
43	2320-4515	Oil Level Gauge	1	
44	700 Q 0675	Oil Level Pipe	1	
45	2320-4509	Oil Level Pipe Clamp	2	
46	2320-4513	(1) Oil Tank Filler Cap (insert)		
22. Cables				
2	2320-5440	Combination Cable Ass'y	1	for JIL, J1TL, J1TR1
2	G1040-5440	Combination Cable Ass'y	1	for GIL
9	2320-5415	Cable Band	2	
24. Electrical Equipment				
42	2320-7742	Brake Lamp Switch Spring	1	
43	2320-7741	Brake Lamp Switch Spring Hook	1	